

revolution



*Alignment Kit
Available!*



Shown: RSM4TL
4082kg capacity
with optional alignment kit

RSM4TL Four Post Lift

RSM4TL is ideal for quick lifting and service of a wide range of vehicles - the real value is the increase in productivity.

RSM4TL Features:

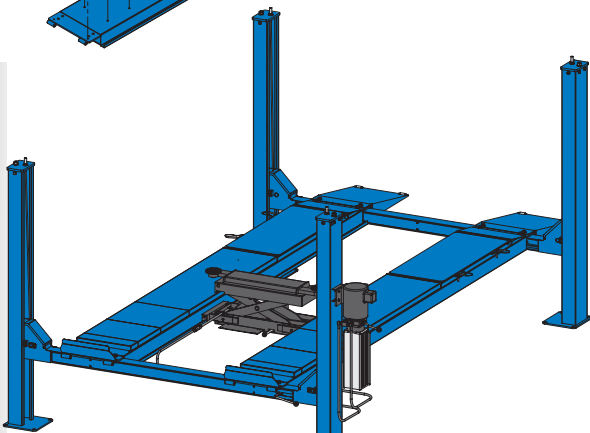
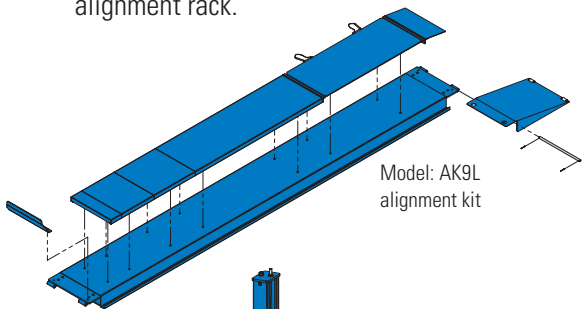
- Hydraulic cylinder placed under runway and out of the way
- Single piece column for added strength
- Multi-position locks allow runways to be level at any lock position
- Single point lock release
- Power unit controls located on front of column
- Front wheel stops easily replaced with optional drive-thru ramps
- Automatic ramp chocks with special ramp silencers
- Optional rolling jacks available for brake, tire and suspension work

RSM4TL Four Post Lift

Optional accessories:

- RJ4500MBK / 2041kg (4,500 lbs.) capacity rolling bridge with manual pump
- NRJ45-AP / 2041kg (4,500 lbs.) capacity rolling bridge with air pump
- FA5153 Radius Gauges
- AK9L Bolt-On Alignment Kit

The AK9L is a bolt-on alignment kit that offers an easy way to convert the RSM4TL four-post lift into a fully equipped flat top alignment rack.



Specifications	RSM4TL
Capacity	4082kg
A. Rise	1962mm
B. Overall Length	5850mm
Maximum Wheelbase	3861mm
C. Overall Width	3276mm
D. Width Inside Columns	2718mm
E. Length Between Columns	4704mm
F. Overall Height	2221mm
G. Runway Tread Width	508mm
H. Runway Height	127mm
I. Width Between Runways	1000mm
Rise Time	55 seconds
Voltage/Amps	208/230, 20 amps
Motor	1Ø*/2HP/60Hz

*Optional 3-phase available / 1Ø/2HP/50Hz

